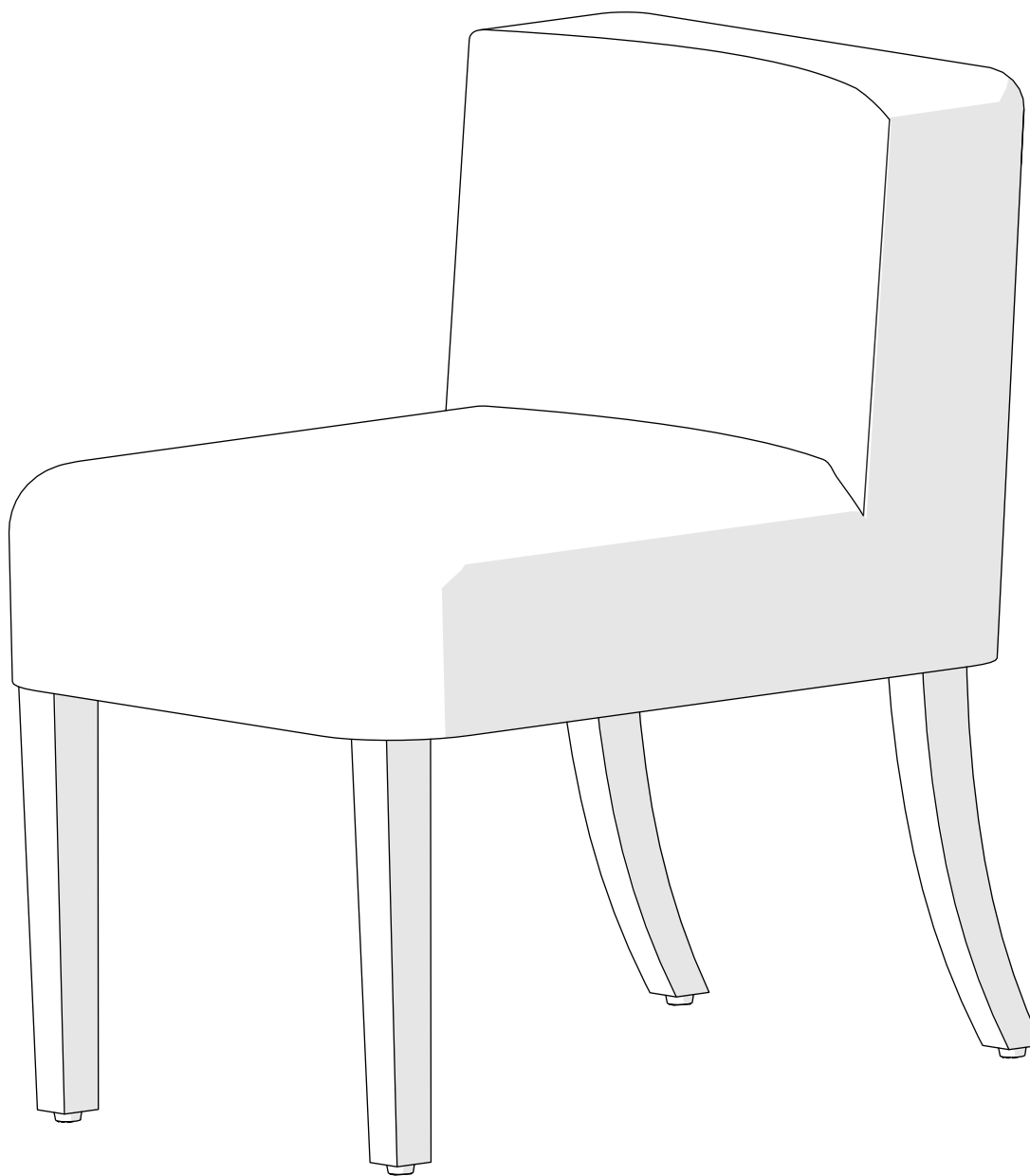


# HOMEPPOP

a Kinfine brand

Style Number : K8677



>>assembly instructions

Congratulations on your latest HomePop purchase.

Now what? Don't start sweating over this box of parts. This will be easy. We did the hard work for you. All you need to do is follow our simple instructions and you'll be on your way to transforming your room in no time. Good luck --though we're confident you won't need it.

## **before you begin**

1. If the item arrived damaged, please contact your original vendor before your return window expires.
2. Check for missing parts. Customers can visit [www.homepop.com/parts](http://www.homepop.com/parts) to request missing parts.
3. Use the carton as a working surface to prevent product damage during assembly.
4. Gather all tools prior to assembly.

# table of contents



introduction	2
hardware	4
parts list	5
assembly	6-8

# hardware

---

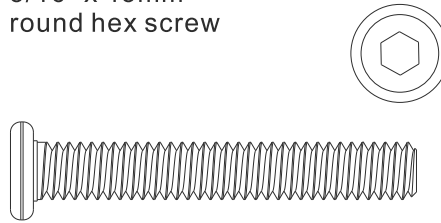
(A) x 1

3/16" Ball end  
Hex wrench



(B) x 8

5/16" x 45mm  
round hex screw



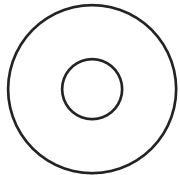
(C) x 8

Φ8mm lock washer



(D) x 8

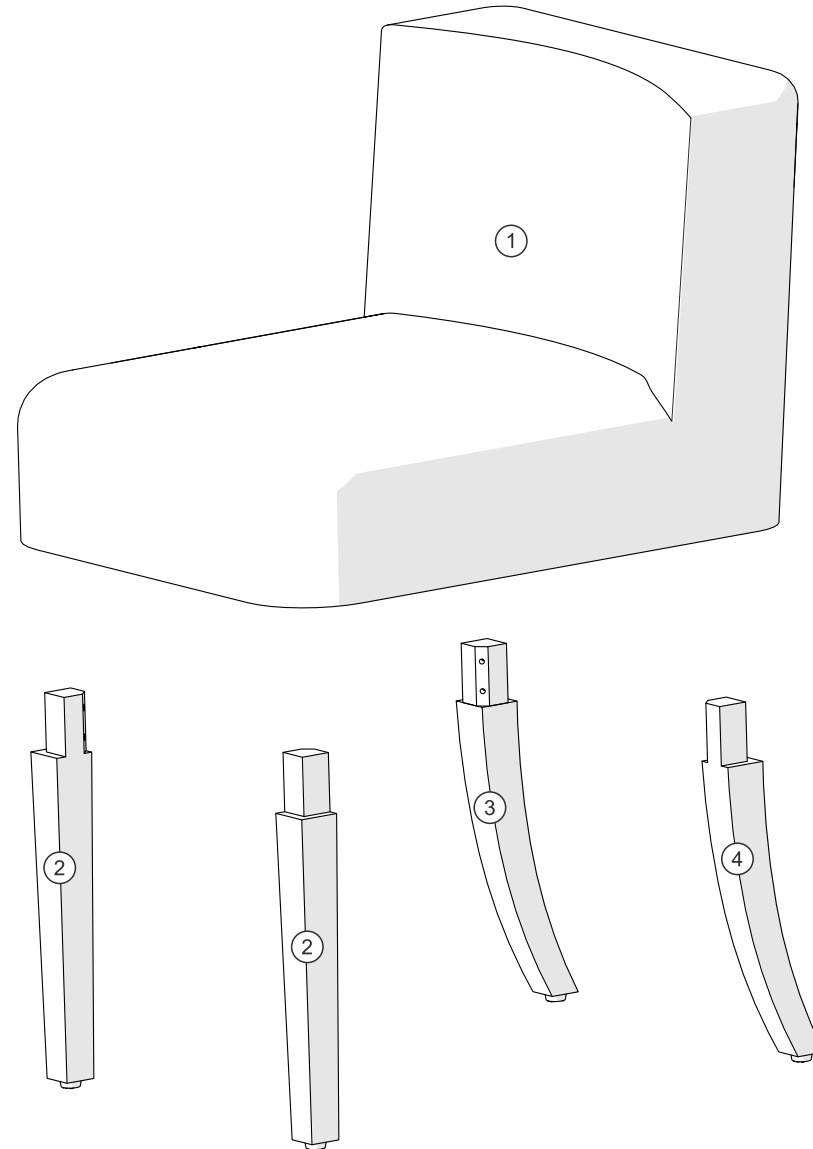
Φ22mm flat washer



ITEM DESCRIPTION QUANTITY

.....

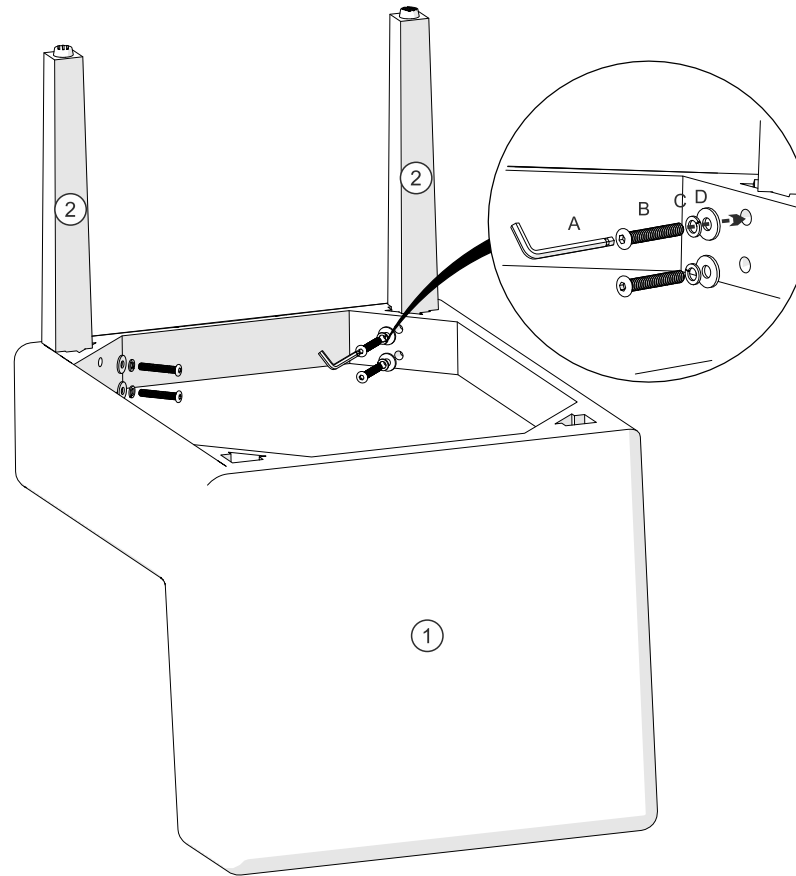
①	chair cushion	1
②	front leg	2
③	left hind leg	1
④	right hind leg	1



# step 1.

---

1



---

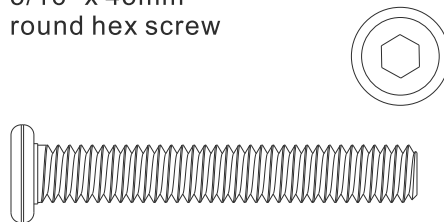
**(A) x 1**

3/16" Ball end  
Hex wrench



**(B) x 4**

5/16" x 45mm  
round hex screw



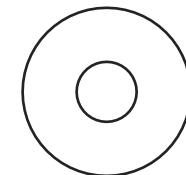
**(C) x 4**

Φ8mm lock washer



**(D) x 4**

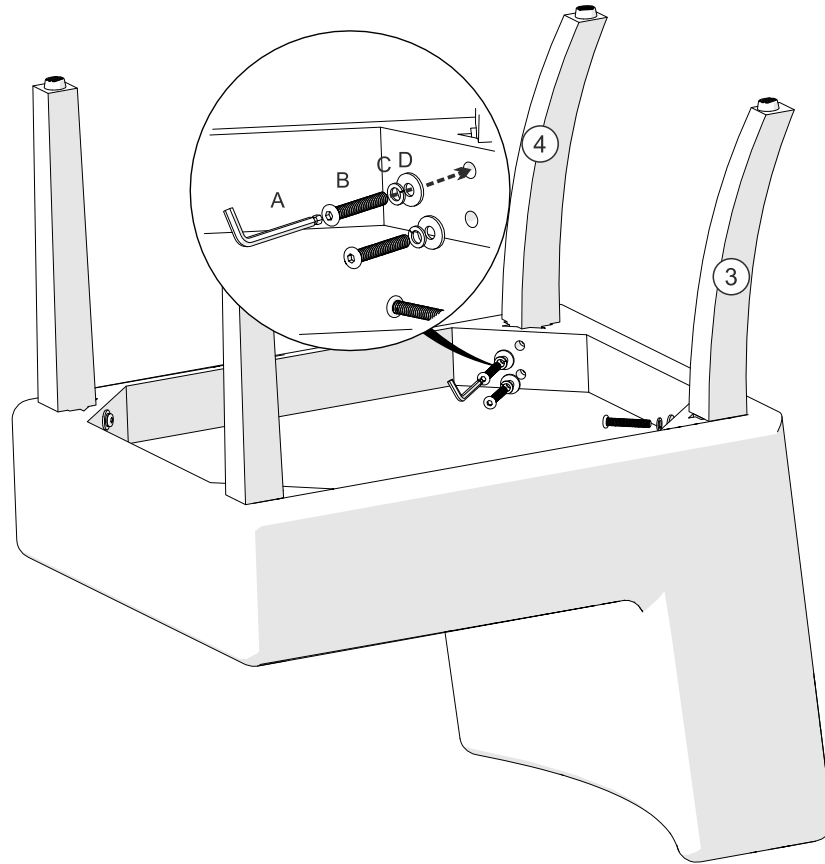
Φ22mm flat washer



# step 2.

---

2



---

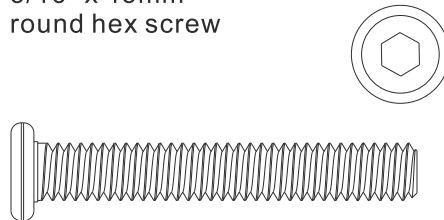
**(A)** x 1

3/16" Ball end  
Hex wrench



**(B)** x 4

5/16" x 45mm  
round hex screw



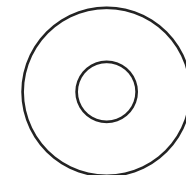
**(C)** x 4

Φ 8mm lock washer



**(D)** x 4

Φ 22mm flat washer

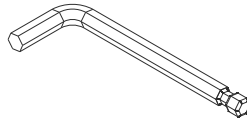


### step 3.

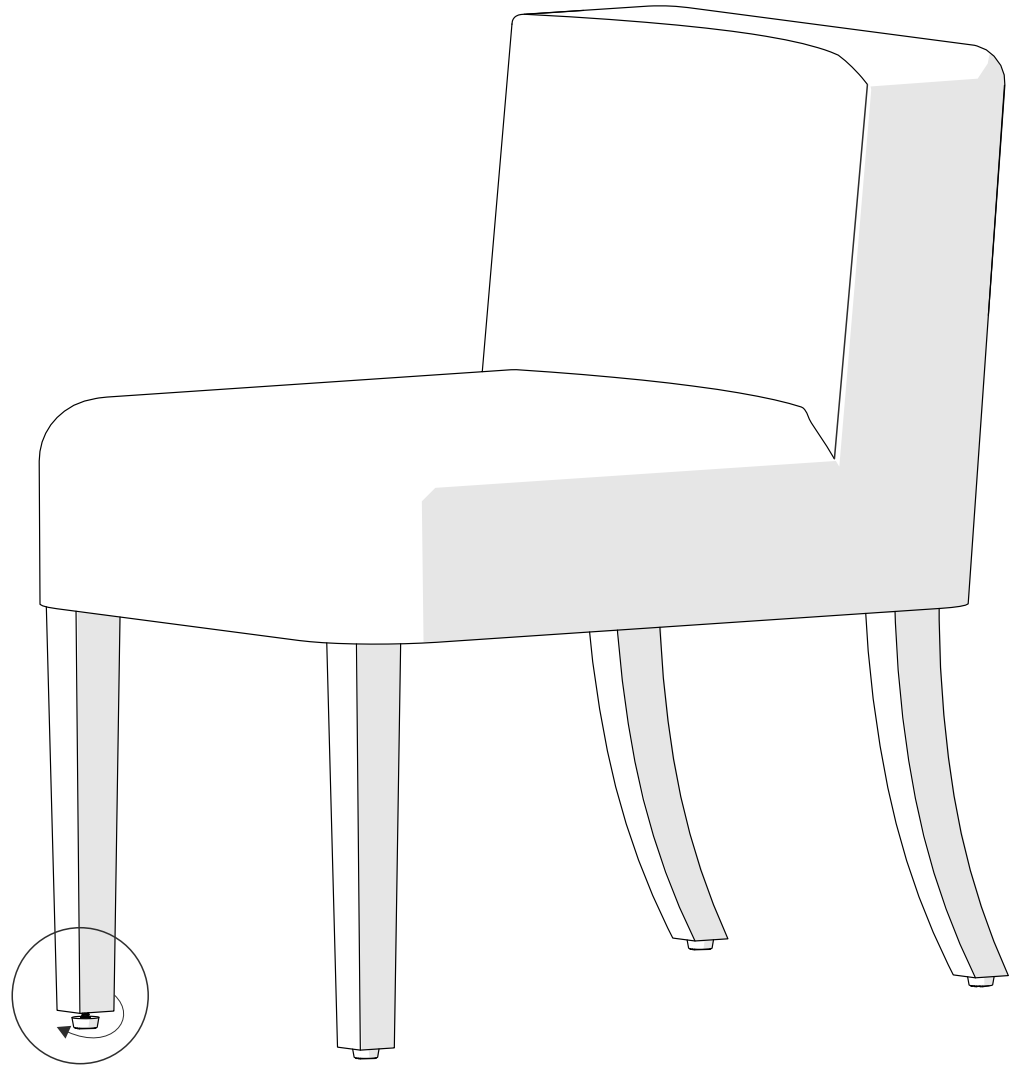
---

A friendly reminder from us:

Please keep the Allen wrench.



After a period of time, there may be a chance the KD furniture may become loose, please use an Allen wrench to tighten the loose bolts.



---

Level the furniture, use leveling feet if needed.